

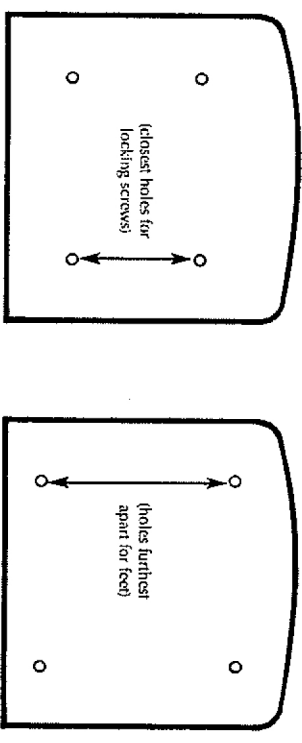
**STAGE 3**

**ITEMS REQUIRED:** Base / cabinet body / 4 locking screws / 4 locking nuts / 4 feet / 4 medium screws

There are 4 plastic white holes on both sides of the base, the closest are for the locking screws and the furthest apart are for the feet. Locate the feet with medium screws and screw in the locking nuts.

Ensure cabinet body you have constructed is upside down (door handles at the bottom). Line up the screws in the base with the holes on the top edge of the sides and push together. Push the locking nuts into the side panels and lock the screws in as in Fig. 2.

Now rotate the cabinet so that it is standing on its feet.



**STAGE 4**

**ITEMS REQUIRED:** Top / 4 locking screws / 4 locking nuts / shelf / 4 shelf supports / 2 Dampers / 4 small screws

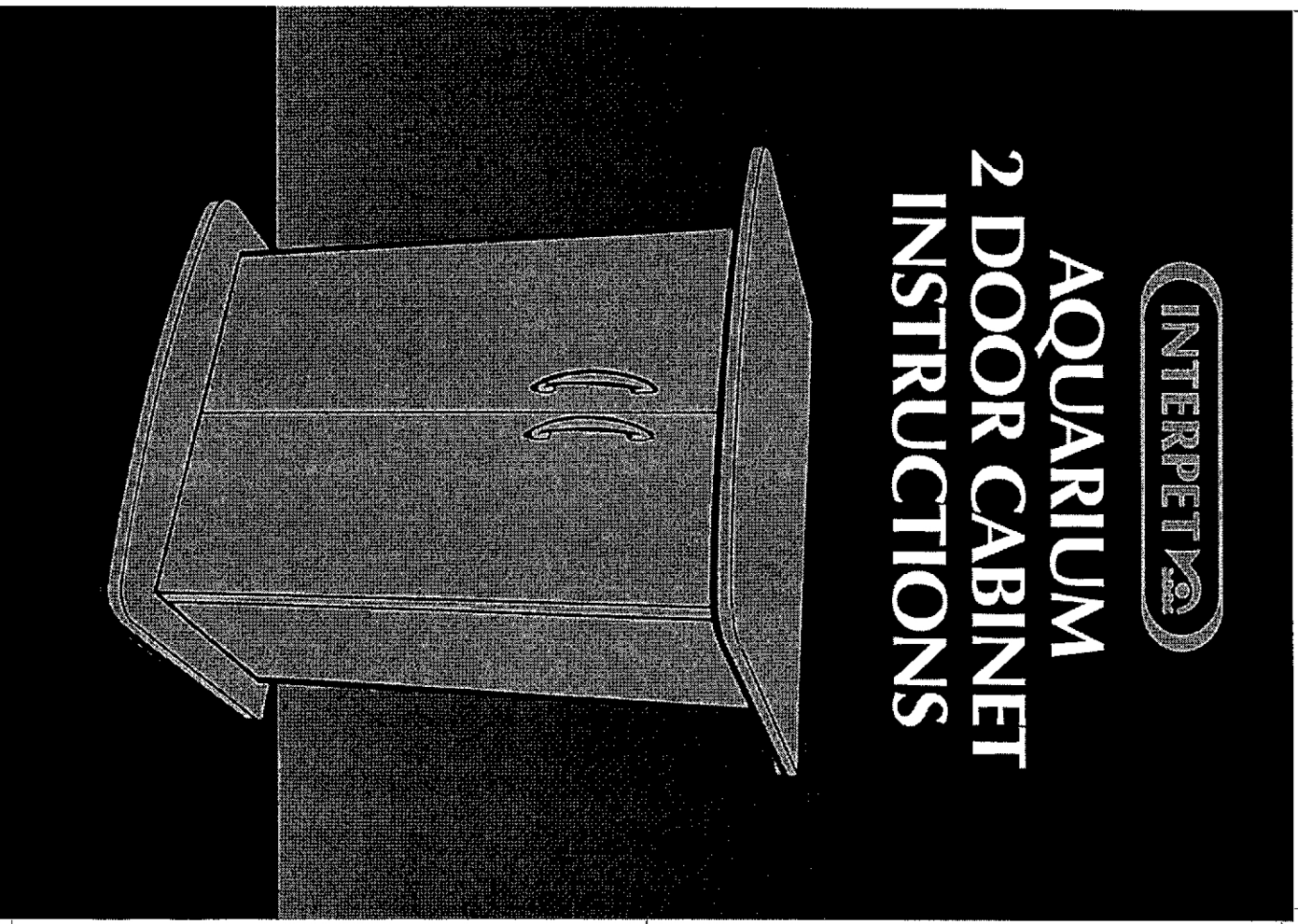
Attach the dampers where pilot holes are drilled (with push in damper pointing towards the curved front of the top) with small screws.

Screw the 4 locking screws into the top and attach to cabinet body using the same method as used for the base.

Push the 4 shelf supports into the inside of the cabinet (you may need a mallet). Insert shelf.

**CONSUMER ADVICE CONTACT DETAILS**

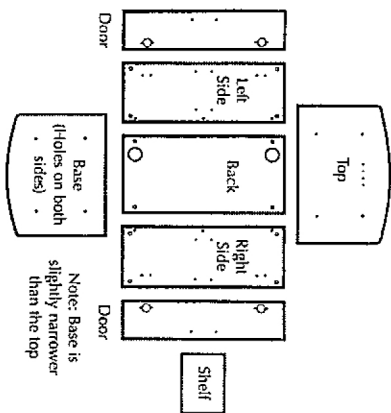
**Interpet Consumer Advice Department**  
Vincent Lane, Dorking, Surrey, RH4 3YX  
**Telephone:** 0845 226 7437 (Monday to Friday, 10am to 1pm except Bank Holidays)  
**Fax:** 01306 876712  
**E-mail:** [customercare@interpet.co.uk](mailto:customercare@interpet.co.uk)



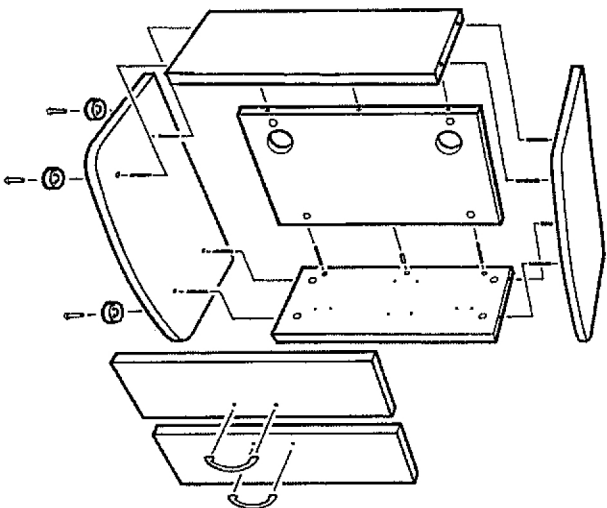
**INTERPET**  
**AQUARIUM**  
**2 DOOR CABINET**  
**INSTRUCTIONS**

**CONTENTS**

12 x Locking Screws	
12 x Locking Nuts	
20 x Small Screws	
8 x Medium Screws	
4 x Shelf Supports	
2 x Dowels	
4 x Hinges	
2 x Handle	
4 x Feet	
2 x Door Dampers	



**ASSEMBLY DIAGRAM**



**STAGE 1**

**ITEMS REQUIRED: Left and right doors / 2 x sides / 16 small screws / 4 medium screws / 4 hinges / 2 handles**

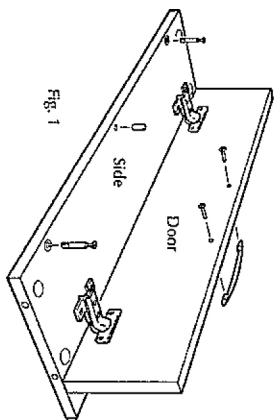
Place a side and door together with holes uppermost on a flat surface.

Place the hinges in the large holes in the door. Fix hinges to door with the small screws, using a cross head screwdriver.

Line up hinges with small holes in the side panel and fix in with the small screws (you may need to close the hinges to right angles to line up holes easily as shown in Fig. 1)

Repeat this process with the remaining door and side panel. Fix handles to the doors using the medium screws.

Once the cabinet is complete you may need to adjust the screws in the hinges to ensure there is an even gap between the doors and the side panels.



**STAGE 2**

**ITEMS REQUIRED: Back panel / 2 side panels with doors / 2 dowels / 4 locking screws / 4 locking nuts**

Screw the 4 locking screws into the white plastic inserts in the side panels and push the dowels into the central holes (see Fig. 1).

Line the screws up with the holes on the side of the back panel and push the side panels onto the back panel. (the back panel can go either way up so you just need to decide which side you would like the holes for the electrics to be, left or right).

Push the locking nuts into the holes on the back panel, make sure the arrow on the locking nuts is pointing at the side panel. Use a cross-headed screwdriver to tighten the locking nuts (turn clockwise).

