

able shooting

units fails to light, CHECK THAT:
nd caps are fully in position
use hasn't blown
orescent starter switch (canister) is working
orescent tube hasn't failed.



Instructions for using your convertagear



ELS147482/1

13/05/2011

Interpet
Aquarium Lights

3 of 3

Interpet Ltd.
Vincent Lane, Dorking, Surrey, RH4 3YX

Tel 0845 226 7437

(Monday to Friday, 10am to 4pm except Bank Holidays)

Fax 01306 876712

E-mail customercare@interpet.co.uk

Guarantee

is product is warranted as free from defects in materials workmanship for a period of two years from the date of purchase. The warranty covers only any defects caused during normal use and operation of the convertagear, in accordance with the instructions enclosed. It does not apply to any authorised modifications or misuse, improper or inadequate maintenance, or operations outside the product specifications. In the event of a defect within the stated warranty period, the product will be returned, with proof of purchase, to the point of purchase. Neither Interpet nor the manufacturer are liable for any direct, indirect, special, incidental or consequential damages arising from a defect in this product.

the starter switch (canister) and any fluorescent tube not covered under this guarantee and these should both be replaced annually.

Instructions for using your convertagear

Connecting of the Convertager to Mains Supply

Check that the voltage of the mains supply corresponds to the voltage shown on the Convertagear.

It is recommended for safety that all aquarium equipment is connected through an earth leakage circuit breaker (RCD).

: CONNECTION TO THE MAINS CAN BE MADE DIRECTLY VIA PLUG AS FITTED.

| J.K. CODE | LAMP SIZE |
|-----------|--------------------------------|
| 8601 | 15 W 450mm x 26mm (18"x1") T8 |
| 8611 | 18 W 600mm x 26mm (24"x1") T8 |
| | 20 W 600mm x 26mm (24"x1") T8 |
| 8621 | 25 W 750mm x 26mm (30"x1") T8 |
| | 30 W 900mm x 26mm (36"x1") T8 |
| 8631 | 36 W 1200mm x 26mm (48"x1") T8 |
| | 38 W 1050mm x 26mm (42"x1") T8 |
| | 40 W 1200mm x 26mm (48"x1") T8 |

With this or any other type of plug an ASTA 3 amp or 5 amp fuse to BS1362 must be fitted either in the plug or adapter, or at the distribution board.

Replacement of Plug IMPORTANT:

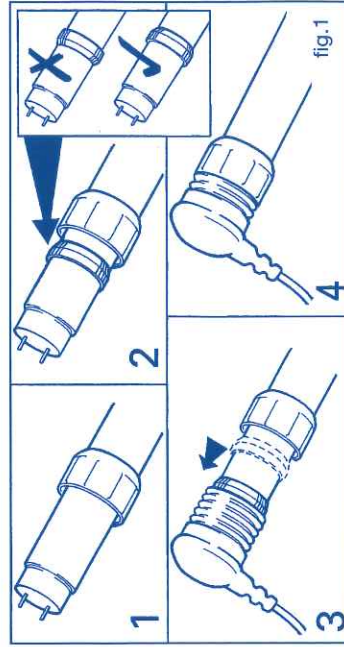
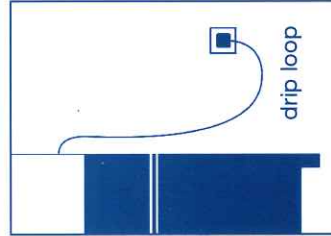
This apparatus is double insulated and does not have a third (earth) wire. The wires on the lead should therefore be connected as follows:

- The BLUE lead should be connected to the NEUTRAL terminal on your plug or cable tidy. This terminal may be marked with an 'N' or coloured blue or black. The BROWN lead should be connected to the LIVE terminal on your plug or cable tidy. This terminal may be marked with an 'L' or coloured brown or red.

- DO NOT CONNECT EITHER WIRE TO THE EARTH TERMINAL.
- If in doubt consult a qualified electrician.
- The flexible cable is not replaceable, and in the event that it is damaged the appliance should be scrapped.

Locating your Convertagear

- The unit should be placed horizontally or suspended using the key-holes at the back, in a dry, well ventilated position where splashing cannot occur. This product **should not be positioned on or into the cover frame of the aquarium.** Always ensure power cable is positioned with a drip loop for safety. **WARNING - THIS UNIT MUST BE PLACED IN A WELL-VENTILATED POSITION. SPECIAL CARE SHOULD BE TAKEN TO AVOID COVERING THE VENTS ON TOP OF THE CONVERTAGEAR UNIT.**
- Fit the water proof end caps as shown in fig. 1. on the next page – ensuring the end pins are located in the holes in the cap. The lamp must be mounted a minimum of 15mm from the water surface. Disconnect the power supply before carrying out any lamp maintenance.



To fit the enclosed clips

Step 1 - Ensure the mounting blocks for the clips are fixed to the hood 6cm from each end of the tube.

Step 2 - Use self tapping screws or superglue to fix the black mounting block to the inside of your hood. Ensure they run parallel with the direction you require to fluorescent tube to run.

Step 3 - Simply push clip the lamp holders (fig. 2) onto the black mounting blocks (fig. 3).

- Always ensure that a plastic or glass sheet protects the tube from splashing and possible breakage.
- Always replace the fluorescent starter switch (Canister) when replacing the tube (fig. 4).

- Always disconnect from mains supply before carrying out any maintenance** – inc. removing fluorescent tube or starter switch
- If the electric cord becomes damaged the unit must be replaced.

- At the end of the products life the unit must be recycled at an appropriate recycling centre.

