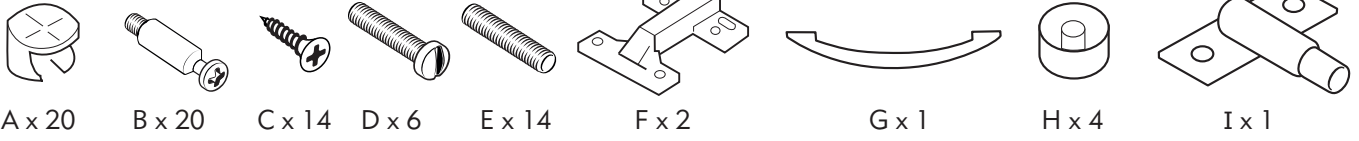
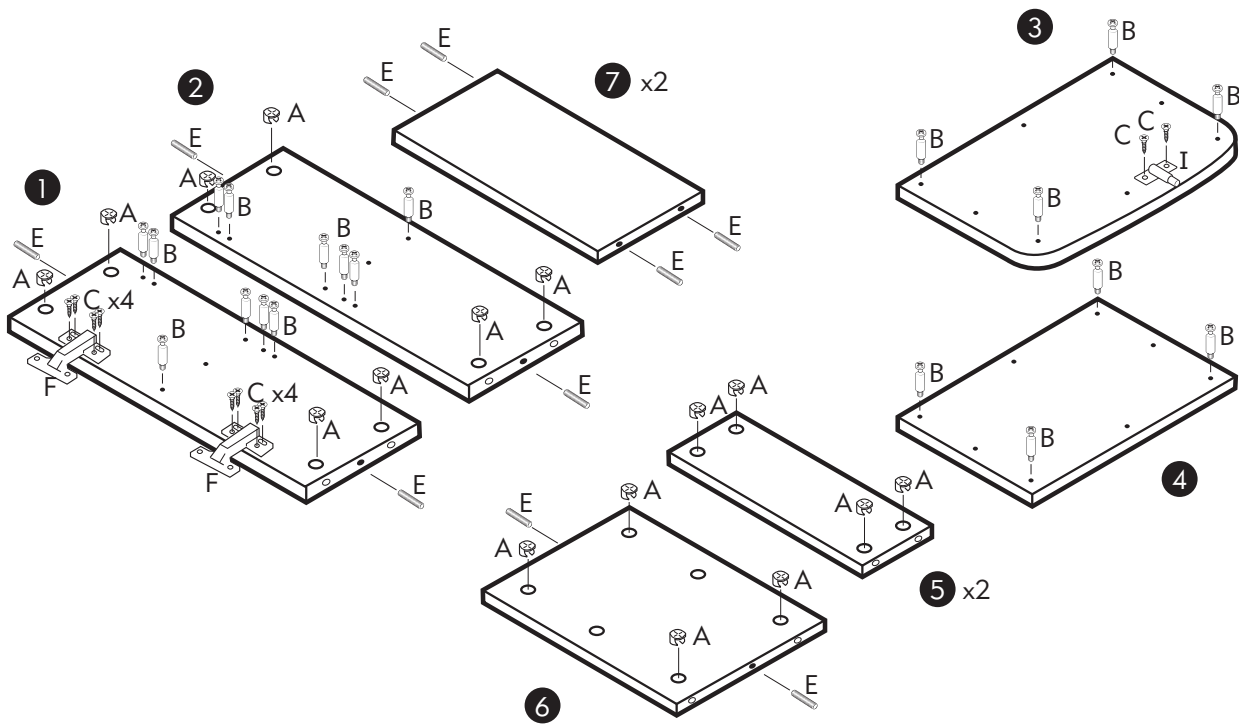


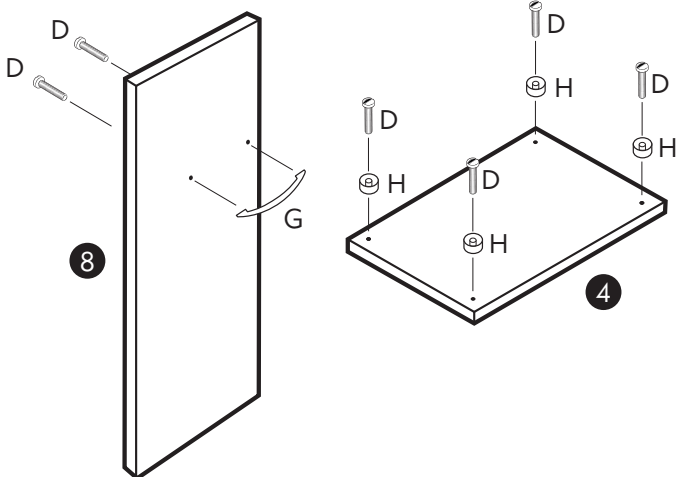
Fittings



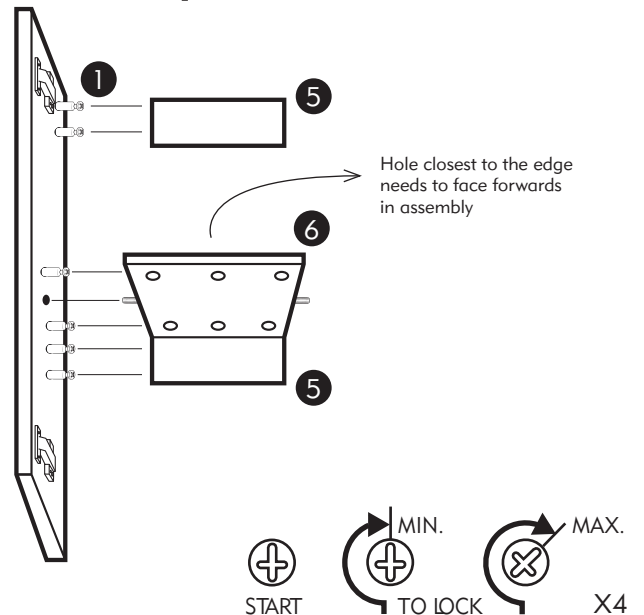
Preparation 1



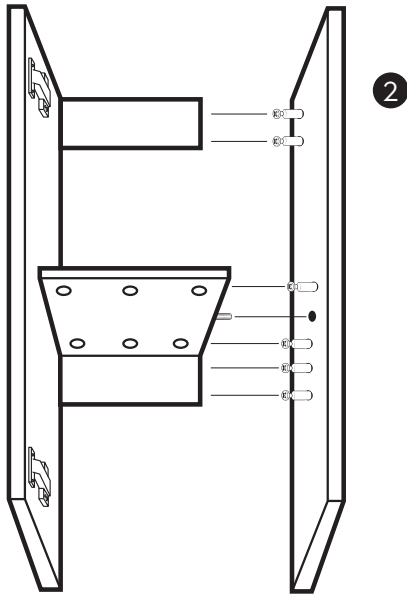
Preparation 2



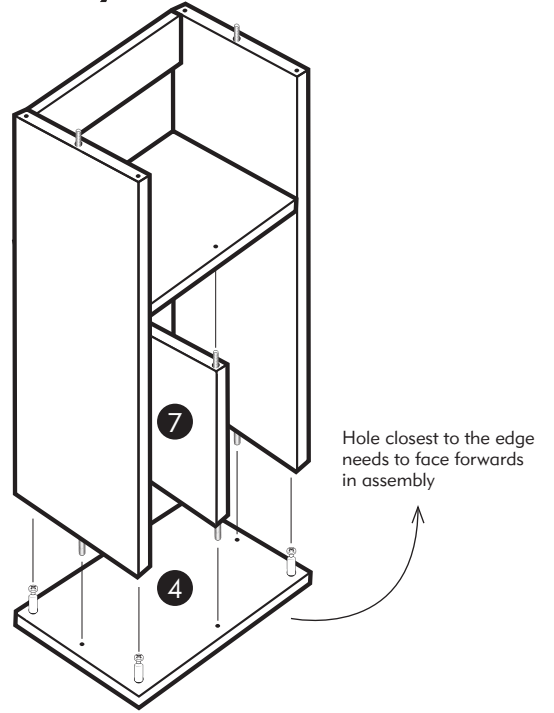
Assembly 1



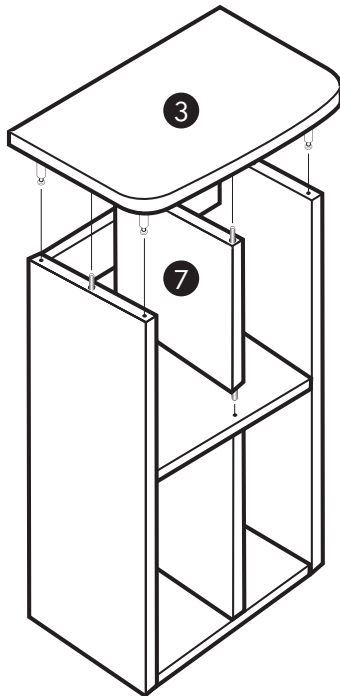
Assembly 2



Assembly 3



Assembly 4



Assembly 5

