

Interpet 

Insight LED

Complete aquarium kit

40 litre & 64 litre instruction manual
and aquarium set up guide



CREATE

EVERYTHING YOU NEED TO GET
STARTED WITH YOUR AQUARIUM



Insight LED

Thank you for purchasing this Insight LED Complete Aquarium Kit. Interpet has applied over sixty years of aquatic experience to ensure every element of the design of this product has been carefully considered to ensure you enjoy aquarium keeping.

Please retain this manual for on-going care and future reference.

We are sure that this aquarium will enable you to fully enjoy the benefits of owning and looking after aquarium fish and plants.

This Insight LED aquarium is supplied with:

- An **Internal Cartridge Filter** which is easy to use and keeps the aquarium water clear and healthy for your fish. Uniquely, the filter also contains an **Algaway** pad to prevent unsightly algae ruining your viewing enjoyment.
- An **Aquacare Reminder System** which makes keeping a healthy aquarium easy, by ensuring you never forget essential aquarium care processes such as water changes or filter care.
- A **Deltatherm** heater which acts like a central heating system to maintain a stable water temperature for tropical fish.
- An easy start aquarium kit in the form of two essential Interpet water care treatments:-
 - **Tapsafe** which makes tap water safe for use in aquariums
 - **Filter Start** which establishes the essential biological cycles in the filter that eliminates harmful fish waste

For details on how to use all these essential components please refer to the individual instructions supplied.

Contents

- Getting to know your aquarium
- Setting up your aquarium
- Things you need to know about starting an aquarium
- On-going care of your aquarium
- Top tips
- Troubleshooting
- Guarantee and safety information

Section 1 - Getting to know your aquarium

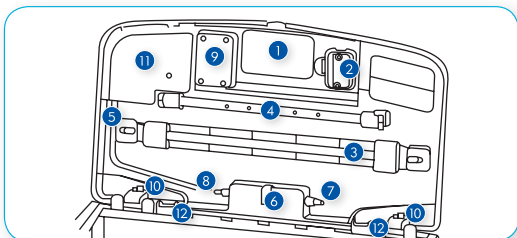


- 1 **Glass Aquarium** 40 litres/64 litres
- 2 **Aquarium hood**
- 3 **Lighting:**
 - Insight 40 = 2 x 9 x 0.2w Bright White LED
1 x 6 x 0.2w Blue Moon LED
 - Insight 64 = 2 x 12 x 0.2w Bright White LED
1 x 6 x 0.2w Blue Moon LED



- 4 **Internal Cartridge Filter:**
 - Insight 40 = CF1
 - Insight 64 = CF2
- 5 **Deltatherm heater:**
 - Insight 40 = 100 Watts
 - Insight 64 = 100 Watts
- 6 **Tapsafe**
- 7 **Filter Start**

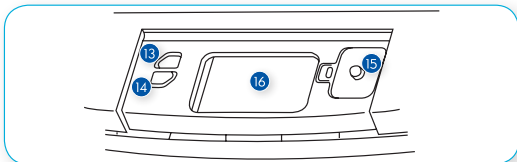
Under the lid



No.	Part Description	Quantity	Spare Code
1	Feeding Flap	1	N/A
2	Aquacare Reminder System	1	36624
3	Double Bright White LED Bar	1	40L: 0407 64L: 0408
4	Single Blue Moon LED Bar	1	36627
5	LED Holding Clips	2	N/A
6	LV Power In Hub	1	36628
7	LV Power Out to Cartridge Filter	1	N/A
8	LV Power Out to LED Hub & Light Switches	1	N/A
9	LV Lighting & Aquacare Power Hub	1	36629
10	Removable Metal Hinges	2	36630
11	LV Cable & Auto Timer Cover	1	N/A
12	Optional CF Rubber Holder Locations	2	N/A

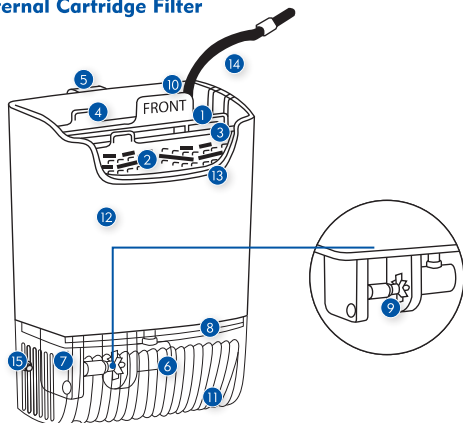
*LV = Low Voltage

Under the feeding flap



No.	Part Description	Quantity	Spare Code
13	Blue Moon LED On/Off Switch	1	36629
14	Bright White LED On/Off Switch	1	
15	Aquacare Reminder System	1	36624
16	Feeding Gap / Auto Feeder Position	1	N/A

Internal Cartridge Filter



Part No.	Part Description	CF1	CF2
1	Filter Cartridge (In Service Pack)	1 Month: 2317 3 Month: 2318	1 Month: 2319 3 Month: 2320
2	Algaway Pad Bio Holster	2334	2335
3	Algaway Pad (In Service Pack)	1 Month: 2317 3 Month: 2318	1 Month: 2319 3 Month: 2320
4	Ceramic Cartridge	N/A	N/A
5	Locator Hook	N/A	N/A
6	Pump Inlet Cover and Pipe	N/A	N/A
7	Pump Motor	2326	2327
8	Pump Plate Locator	N/A	N/A
9	Pump Impellor	36635	36636
10	Pump Cable Duct	N/A	N/A
11	Removable Intake Cage	2336	2337
12	Filter Body	N/A	N/A
13	Water Return Cascade	N/A	N/A
14	Pump Cable	N/A	N/A
15	Rubber Vibration Dampers	N/A	N/A

Section 2 - Setting up your aquarium

Unpack all of the items in the box and check everything is present against the parts list in section 1.

Ensure the aquarium is placed on a level surface suitable for bearing the weight of a full aquarium (e.g. Insight LED 64 litre will weigh over 90kg when full); the matching Insight LED cabinets are specifically designed for this purpose and are essential to validate the aquarium guarantee.

Position the aquarium on its cabinet where you can get maximum enjoyment from watching your aquatic habitat. However, the aquarium should NOT be placed:

- In direct sunlight,
- Areas of extreme temperature variations i.e. next to a radiator,
- Areas subject to loud noise, vibration or a lot of movement e.g. by a loud speaker or in the hall way

Step 1 - Adding substrate and décor to your aquarium

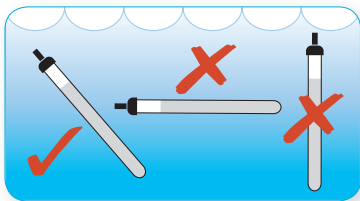
Ensure you wash your choice of aquarium substrates (gravel or aquarium base) before adding it to the aquarium as most gravel contains large quantities of dirt which will cloud the water.

Also pre-wash or soak any rock, wood or ornaments before adding them to the aquarium. Do not use any soap or cleaning liquids other than plain tap water for this job.

Step 2- Installing your Deltatherm heater

The heater supplied is factory set at 24°C, the ideal temperature for most tropical fish, but can be set to any temperature between 16 and 34°C by using the adjustable thermostat on the top of the product.

Attach the Deltatherm heater on the back glass of the aquarium using the sucker mounted brackets supplied. Ensure the heater will be fully submersed and is placed diagonally as shown in the diagram below – this ensures the thermostat works most accurately.



DO NOT PLUG THE HEATER IN YET!

The Deltatherm heater should never be turned on out of water and cold water should never be applied directly to a hot heater as in both cases this will cause the glass to crack.

Top tip...

...Always unplug your heater before carrying out any water changes. Only plug it back in when the aquarium is refilled and the heater is fully submersed.

Plug in (but do not turn on) the transformer for your Insight LED aquarium and push fit the low voltage plug into the LV Power in Hub (6), recessed into the outside face of the back of the hood.

Important Safety Information

To prevent any drips entering the electric sockets, create a drip loop for the heater and low voltage cable as per the diagram (right).

Step 3 - Installing your Internal Cartridge Filter

Position your cartridge filter on the back of the aquarium using the locator hook: you have the choice of either using it on the left or right side of the aquarium using the cartridge filter locations (12). Once positioned, push fit the male plug from the pump's low voltage cable into the female power out section (7) which is part of the power in hub (6). Excess cable should be pushed into the cable duct tidy as per FIG 1.

Create a drip loop

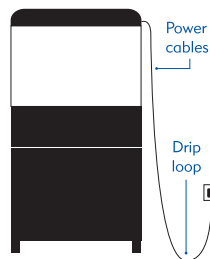
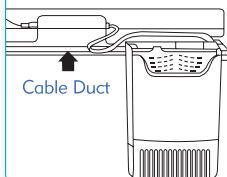


FIG 1



DO NOT SWITCH ON YOUR INSIGHT LED AQUARIUM YET.

Step 4 - Filling your aquarium

Once you have added substrate, installed the heater and filter, you can fill your aquarium with water using a bucket or hose.

Top tip...

...When filling the aquarium, place a plate or bowl in the base to disperse the water flow and prevent the substrate moving and clouding the water.

Dose the water with the Interpet Tapsafe supplied, this removes harmful chlorine and heavy metals (e.g. Copper) from tap water. Tapsafe also adds: Aloe Vera which protects delicate fish membranes; bacteria to boost essential biological processes in the aquarium. Follow the on-pack instructions for using Tapsafe.



Top tip...

...Tapsafe should be used whenever you use tap water to carry out water changes or top up evaporation.

Once the aquarium is full you can plug in your Insight LED aquarium and heater. Both items should remain operational at all times, apart from when you are carrying out maintenance in the aquarium when they should be unplugged for your safety.

Step 5 - Using your aquarium lights

Your aquarium is supplied with bright white 0.2w LED lights (Insight 40 = 2 x 9 x 0.2w; Insight 64 = 2 x 12 x 0.2w) and a single blue moon 1 x 6 x 0.2w LED tube. These are designed to be efficient as well as create bright yet economical lighting from very low wattage LEDs.

Bright White for:

- Lush plant or coral growth without encouraging algae
- Attractive ripple effect

Blue Moon for:

- Softer, more relaxed night time viewing

If you have live plants they will need 8-12 hours of light to thrive. To replicate this natural day/night cycle automatically, you can upgrade your aquarium with the Insight LED auto timer which is specially designed to easily fit the Insight LED aquariums which automatically sets your lighting to 10 hours on/14 hours off each day.

Step 6 - Adding plants and fish to your aquarium

Your new aquarium should be allowed to settle overnight to allow the temperature to stabilise. Then, you can start adding live plants; remove any dead or broken leaves before planting directly into the substrate.

Top tip...

...Take care to plan your aquarium planting (which is similar to creating a garden border) ensure that there is a variety of different height plants with the tallest at the back and shortest in the foreground. Create clumps of plants with a variety of leaf colours, shapes and textures for best effect. It is always better to start off with too many plants and thin them out later, this helps ensure algae does not have any excess food or light to establish a foot hold in the aquarium.

Seek the advice of your specialist aquatic retailer when purchasing fish; they will be able to help you select a variety of fish which will create a calm and balanced community. Ensure your retailer knows you have a new aquarium, as it is essential to add fish gradually to a new aquarium over a period of weeks, starting with hardier varieties, and gradually building up to the aquarium's full complement of fish.



What type, and how many fish can I keep?

Insight LED 40 litres

Tropical – Maximum total length of full grown adult fish (excluding tail) = **48cm**

Suggested community with interest at all levels of the aquarium :-

Area of the aquarium	Species	Quantity
Bottom dwellers	Corydoras (Panda)	2
Midwater shoal	Harlequins	5
Upper water	Guppy (King Cobra)	2
Feature fish	Cockatoo Dwarf Cichlid (1 male, 1 female)	2

Goldfish - Maximum total length of full grown adult fish (excluding tail) = **26cm**

This translates to 2 goldfish allowing room for growth.

Insight LED 64 litres

Tropical – Maximum total length of full grown adult fish (excluding tail) = **77cm**

Suggested community with interest at all levels of the aquarium :-

Area of the aquarium	Species	Quantity
Bottom dwellers	Corydoras Gosse's	2
Midwater shoal	Cherry Barb	6
Upper Water fish	Marbled Hatchett	2
Feature fish	Pearl Gourami (1 male, 1 female)	2
Algae eater	Siamese Flying Fox	1

Goldfish - Maximum total length of full grown adult fish (excluding tail) = **35cm**

This translates to 3 goldfish allowing room for growth.

Step 7 - Kick start your filter

As soon as you introduce the first few fish, add Filter Start which will help establish an effective biological process in the filter for removing harmful fish waste. Follow the on-pack instructions for using Filter Start.

Top tip...

...Add Filter Start every time you add new fish or clean your aquarium and filter to boost essential biological activity.

Step 8 - Aquacare Reminder System

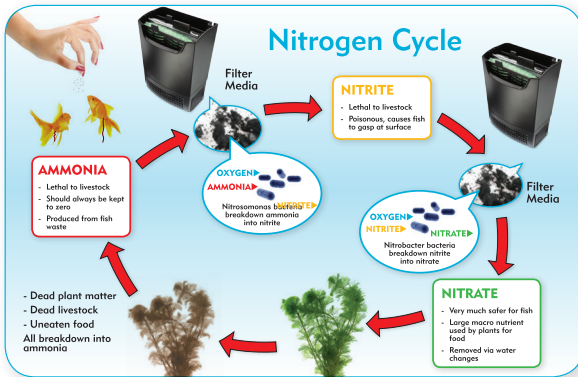
Under the feeding flap (1) located on the right-hand side is the Aquacare reminder system (2). Push twice to set the reminder (a green light will flash to show it has been set) it will then flash red after 28 days to indicate that the white filter cartridge and "Algaway" pad need replacing as well completing a 25% water change. Service packs are available from your local aquatic retailer. After replacing the cartridges and carrying out the water change, press down the button until it flashes green to indicate it has reset for a further 28 days. If the cartridge blocks and needs replacing before 28 days have elapsed then briefly turn off the power to the aquarium and then press the reminder button to reset the Aquacare reminder system.

Section 3 - Things to know about starting an aquarium

The nitrogen cycle

Before adding fish to your aquarium there is some important information to understand about how the aquarium water remains clean and healthy enough for fish to thrive.

The aquarium is a small 'closed' environment; this means harmful waste can build up quickly because there is not enough water volume to dilute the waste, as would happen in a natural lake, nor is there a constant supply of fresh water to wash it away, as would happen in a river or stream. The breakdown of fish waste, excess food, dead plant material and other organic matter will cause invisible toxic compounds to build up in the aquarium water, unchecked this would eventually harm your fish. Fortunately there is a natural process called the "Nitrogen Cycle" which we can recreate in the aquarium to convert the toxic waste into safer compounds (The diagram below shows how this process works).





This Nitrogen cycle is carried out by essential “Nitrifying” bacteria which set up home in the biological media in the aquarium filter. These bacteria would naturally take a couple of months to become established in the filter. During this maturing period fish keepers often experience fish losses caused by the build-up of invisible toxic compounds which is referred to as “New tank syndrome”.

New tank syndrome can be avoided by:

- adding Filter Start which speeds up the maturing process
- starting with a few hardier fish varieties and adding more fish gradually over a number of weeks
- feeding sparingly in the early days to reduce biological loading
- monitoring water quality with a test kit which reveals the presence of the invisible toxins
- carrying out weekly water changes of 20% of the tank volume to dilute waste levels for the first 6 weeks.

Section 4 - On-going care of your aquarium

Other items required for on-going aquarium maintenance:

Bucket, net, magnetic glass cleaner, gravel cleaner, fish food, aquarium test kit and replacement filter service packs.

Daily Care Routine

- Feed fish – ideally two or three times per day as much as they will eat in a couple of minutes (remove any uneaten food) – more fish die of overfeeding than underfeeding so take it easy and make sure only one person in the house is feeding them!
- Check fish health – look for differences in appearance or behaviour that may indicate they are unwell – seek advice from your retailer if you spot any problems.
- Clean algae off the glass – the easiest way to do this is to use a magnetic glass cleaner, note: do not get any gravel in the glass cleaner as you risk scratching the inside of the aquarium.
- Always remove dead fish and plant matter immediately to avoid water pollution
- Ensure the filter is working and that there is good water flow to oxygenate the water. This is good for both the fish and the bacteria in the filter.
- Check the aquarium temperature is stable at the correct level. Note:- in the summer it is possible for the water temperature to briefly rise above the temperature set on the heater thermostat this should not cause a problem for most tropical fish species.



Weekly Care Routine

- Top up any water evaporation – ensure you treat the tap water with Tapsafe before adding it to the aquarium.
- If you have live plants, add a plant food such as Floraboo; trim back excess plant growth and remove any dead leaves.
- Clean the LED tubes and the outside of the aquarium with distilled water (steam iron water) and dry them with a clean, soft cloth. Do not use chemical cleaning products, abrasive cloths, sprays or soaps.
- Use an Interpet Test kit to reveal any water quality problems; these are mostly invisible to the naked eye.

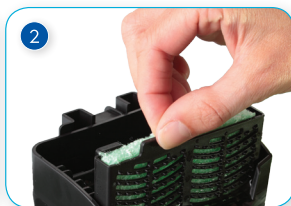
Monthly Maintenance Routine

As per the aqua care reminder system, every 28 days it will flash red and the following actions needs to take place:

- Carry out a 25% water change. A 25% Water Change Level mark is located on the side of the Insight LED aquarium to help ensure the correct amount of water is being changed. See FIG 2.
- Replace the Floss/Carbon filter cartridge (1) and Algaway pad (3) with the right size service pack.
 - 1 Remove and discard old filter cartridge, replace with a new cartridge – ensure the cartridge is fully inserted the right way round ('FRONT' on tab facing forwards) in the correct slot in the filter body.
 - 2 Remove the holster from the filter and slide out the old Algaway pad and discard. Insert the new Algaway pad into the holster and reinsert into the filter body.

FIG 2

25% Water Change Level



Once the above is complete, reset the Aquacare reminder system (See set up instruction step 8).

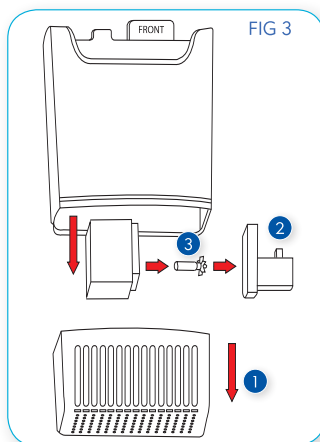
Three Monthly Care Routine

- Turn off power to the cartridge filter and remove cartridge filter from the aquarium. Then unclip the intake cage see FIG 3 (1) and clean in fresh water, be sure to remove as much plant matter and substrate as possible from around the intake grills otherwise it may start to impact the flow rate of the pump.
- Then remove the impellor cover (2) and impellor (3) from the pump motor. Clean the impellor and the inside of the motor with water and a small brush. Then reverse this process to reassemble and install back into the aquarium.

Annual Maintenance Routine -

put a reminder in your diary to help you remember:

- Replace filter impellor to maintain optimum performance.



Section 5 - Top tips for a beautiful and healthy aquarium

1. Locate your aquarium in a suitable position for the benefit of the fish and plants, and for your maximum enjoyment.
2. Select the correct amount and correct species of fish for a balanced and calm community.
3. Care for your water; do all the recommended water changes, filter cleaning, tests and feed correctly, taking special care in the early days or when adding new fish.
4. Don't rush the early days, start slowly and carefully for long term success.
5. ENJOY YOUR AQUARIUM!

See online for further information on all aspects of keeping an aquarium and fishkeeping or join others in our Facebook community: www.facebook.com/interpet



Section 6 - Troubleshooting

Problem 1: Filter flow rate drops considerably

Solution: Check for dirt and debris around the clip on intake cage (11) and the inlet pipe (6) and remove. If this does not resolve the flow rate problem, check the impellor (see problem 2).

Problem 2: Filter is noisy

Solution 1: The impellor (9) should be removed and carefully cleaned, see three monthly care routine. Once the impellor has been cleaned it should be inspected for any damage. If the impellor or magnet is damaged in any way, the impellor should be replaced.

Solution 2: The cartridge location hook (5) and rubber vibration dampers (15) on back of intake cage (11) should be inspected. These dampeners are used here to ensure noisy vibration is kept to a minimum. These parts should be inspected for wear and cleaned if necessary.

Problem 3: Power cut

Solution: Any interruption of more than 2-3 hours of the water supply through the filter will cause the bacteria in the filter to die. Should this occur, do not simply re-start the filter. You must thoroughly clean ALL the filter material and start the filter again. In an aquarium fully stocked with fish, this may lead to water quality problems. Use test kits to monitor water, Ammonia Remover & Filter Start products to manage the water quality.

Problem 4: Water will not stay crystal clear

Solution 1: If the aquarium does not contain large, messy fish check to ensure the cartridge filter is working correctly, inspect the white polymer wool cartridge (1) to see it is correctly positioned in the key locator and also if it was replaced within 28 days (if not it must be replaced).

Solution 2: Additionally you may consider using Interpet Filter Aid which clumps together the fine particles and allows them to be removed more effectively by the filter. Additionally cut down on feeding levels for two to three days and ensure you perform monthly water changes.

Problem 5: Why has the LED lighting / Cartridge Filter stopped working

Solution: Using a Phillips screw driver remove the LV cover (11), check all plugs are firmly pushed into sockets. Check connection of low voltage plug in back of hood. Check mains power supply has not been interrupted.

Problem 6: Why is the LED light output reducing / failing

Solution: Refer to problem 5, if this does not work the LED lighting tube is nearing the end of its life span and will need replacing. Refer to section 1 for the relevant Interpet spare codes and your local aquatic retailer will be able to supply as needed.

Guarantee

All Insight LED aquariums are guaranteed for 12 months from the date of purchase providing the following conditions are met.

Never place polystyrene under the bottom frame of this aquarium.

Your aquarium must be sited on a surface that is flat and level and able to withstand the weight of the aquarium when filled with water, gravel etc. Note: 1 litre of water weighs 1kg)

Wrought iron and angle iron stands, together with video, HiFi, TV cabinets, articles of furniture and self-assembly furniture are NOT suitable for use with Insight LED aquariums, doing so will automatically invalidate this guarantee. It is the responsibility of the purchaser to ensure that when using an aquarium stand it has been designed for use with an Insight LED aquarium i.e. The top support of the stand should be in contact with the entire bottom frame of the aquarium.

You must use the correct Interpet stand so as not to invalidate your guarantee.

All aquarium/stand locations should take into account the position of floor boards/joists etc., bearing in mind the weight to be supported.

The sealant on the aquarium must not come into contact with any chemicals (i.e. Household bleach etc.) or sharp objects such as rocks and razor edged algae scrapers. Normal aquarium treatments and fish medications used for the purpose of fish keeping do not affect the aquarium silicone.

IMPORTANT SAFETY ADVICE: Never site your aquarium over electrical appliances and never lift the aquarium by the top frame (if fitted) or by any part of the bracing system.

DO NOT try to lift or move the aquarium when it contains water.

This guarantee covers leakages arising from either faulty materials or workmanship. We cannot be responsible for breakages of glass.

This guarantee does not apply to any unauthorised modifications or misuse, improper or inadequate maintenance, or operations outside the product specifications. In case of defect within the stated guarantee period, the products should be returned, with proof of purchase, to the point of purchase.

This guarantee does not effect your statutory. Guarantee service includes repair or replacement of the aquarium or filter at Interpet Ltd.'s discretion. Neither Interpet nor the manufacturer are liable for any direct, indirect, special, incidental or consequential damages, including loss of livestock, arising from a defect in this product.

Important Safety Information

WARNING: To guard against injury, basic safety precautions should be observed, including the following guidelines.

READ AND FOLLOW ALL SAFETY INSTRUCTIONS

DANGER: To avoid possible electric shock, special care should be taken since water is employed in the use of aquarium equipment. For each of the following situations, do not attempt repairs yourself, return the appliance to an authorized service facility for service, or discard the appliance.

This is for indoor use only – do not use outside. Do not use this unit if the cable or plug are damaged or appear to be malfunctioning, or if it is dropped or damaged in any manner. Do not use this unit if the plug gets wet. Refer to section 2 of this instruction manual to find out how to create a drip loop for both the heater and filter.

Dispose of responsibly following instructions from your local authority. Close supervision is necessary when any appliance is used by or near children. Do not install or store the appliance where it will be exposed to the weather or to temperatures below freezing point. If an extension cord is necessary, a cable rated with a proper rating should be used. A cable rated for less amperes or watts than the appliance rating may cause the appliance to overheat. Care should be taken to arrange the cable so that it will not be tripped over or pulled.

SAVE THESE INSTRUCTIONS

Disposal of used Electrical & Electronic Equipment (Applicable in the European Union and other European countries with separate collection systems)
This symbol on the product or on its packaging indicates that the product must not be disposed of with normal household waste. Instead, it is your responsibility to dispose of your waste equipment by arranging to return it to a designated collection point for the recycling of waste electrical and electronic equipment. By separating and recycling your waste equipment at the time of disposal you will help to conserve natural resources and ensure that the equipment is recycled in a manner that protects human health and the environment. For more information about recycling this product, please contact your local city office, your household waste disposal service or the shop where you have purchased the product.



Service Packs

One and three month service packs available for your internal cartridge filter CF1 & CF2.



Easy Test Health Tablet Test Kit

Complete with tablet tests for ammonia, nitrite, nitrate and broad range pH, along with 2 plastic test vials and a tablet crusher. An effective and simple way for you to test your aquarium water, ideal for new aquarium set-ups.

Upgrades



Auto feeder

Battery operated, automatic fish feeder for up to four programmed feeds per day.



Lighting auto timer

Easy-fit lighting timer sets your lighting to 10 hours on/14 hours off each day.



Triple Bright White LED lighting upgrade

Easy-fit, replacement lighting for superb plant growth and a beautiful aquarium.

*Insight LED aquarium 64L only



Interpet has applied over 60 years of aquatic experience to ensure every element of the design of this product has been carefully considered to help you enjoy aquarium keeping.

e-mail: customercare@interpet.co.uk
Interpet Ltd. Vincent Lane, Dorking, Surrey
RH4 3YX, England
[facebook.com/interpet](https://www.facebook.com/interpet)

www.interpetaquatics.co.uk