



LIFE SUPPORT FOR
COLDWATER AND
TROPICAL AQUARIUMS

QUICK
SETUP GUIDE

SMALL,
MEDIUM
AND LARGE

Oxy Flow Aquarium Air Pump



SAFE GUARDS

WARNING: to guard against injury, basic safety precautions should be observed, including the following guidelines:

DANGER: to avoid possible electric shock, special care should be taken since water is employed in the use of aquarium equipment. For each of the following situations, do not attempt repairs yourself, return the appliance to an authorised service facility for servicing, or discard the appliance.

This is for indoor use only - do not use outside. Do not use this unit if the cable or plug are damaged or appear to be malfunctioning, or if it dropped or damaged in any manner. Do not use if the plug gets wet. Refer to the positioning section of the instructions. Dispose of responsibly following instructions from your local authority. Close supervision is necessary when any appliance is used by or near children. Do not install or store the appliance where it will be exposed to the weather or to temperatures below freezing point. If an extension cord is necessary, a cable rated with a proper rating should be used. A cable rated for less amperes or watts than the appliance rating may cause the product to overheat. Care should be taken to arrange the cable so that it will not be tripped over or pulled.

BENEFITS OF AQUARIUM AERATION

Fish require oxygen-rich water in order to remain healthy. Filter bacteria, essential to the breakdown of highly toxic ammonia and nitrite, also require oxygen to flourish and keep the aquarium free from the build up of toxic waste. Use of an Interpet Oxy Flow aquarium air pump will increase the level of oxygen in the aquarium and reduce levels of carbon dioxide by injecting air into the water.

Aeration in an aquarium is especially important during spells of warm weather, when water holds much less oxygen, and at night when plants stop producing oxygen and begin to use it. Fish seen gulping at the surface or swimming lethargically may be showing signs of a lack of oxygen.

Oxygenation, provided by the use of an air pump, is essential when treating fish diseases, as suffering fish require higher levels of oxygen, and many treatments deplete oxygen levels in the water.



This symbol on the product or on its packaging indicates that the product must not be disposed of with normal household waste. Instead, it is your responsibility to dispose of your waste equipment by arranging return to a designated collection point for the recycling of waste electrical and electronic equipment. By separating and recycling your waste equipment at the time of disposal you will help to conserve natural resources and ensure that the equipment is recycled in a manner that protects human health and the environment. For more information about recycling the product, please contact your local city office, your household waste disposal service or the shop from where you purchased the product.

WEEE STATEMENT

This product is warranted as free from defects in materials and workmanship for a period of 1 year from the date of purchase. This warranty covers only any defects caused during normal use and operation of the air pump, in accordance with the instructions enclosed.

It does not apply to any unauthorised modifications or misuse, improper or inadequate maintenance, or operations outside the product specifications. In case of proof of purchase, to the point of purchase.

This warranty does not affect your statutory rights. Warranty service includes repair or replacement of the air pump at Interpet Ltd.'s discretion. Neither Interpet nor the manufacturer are liable for any direct, indirect, special, incidental or consequential damages, including loss of livestock, arising from a defect in this product.

This does not cover consumable parts included in the service kit.

WARRANTY

TECHNICAL SPECS

Model	For Aquariums up to	Size of Airwall	OR	Max no. of other features	Air flow (L/hr)	Pressure (bar)
Small	38 litres / 8 gallons	1x1"		1	60	0.1
Medium	100 litres / 22 gallons	1x18"		4	140	0.12
Large	300 litres / 66 gallons	4x12"		8	2x160	0.12

SPARES

Oxy Flow	Description	Spares Kit Code
Small	Annual Service Kit (Inc 4x Air Filter Pads & Diaphragms)	90162
Medium	Annual Service Kit (Inc 4x Air Filter Pads & Diaphragms)	90163
Large	Annual Service Kit (Inc 4x Air Filter Pads & Diaphragms)	90164

Part	Spares Code
2m Clear Silicone Airline	2558
2m Blue Silicone Airline	2560
Check Valve	2565
15mm x 25mm Airstone (2 pack)	2570
100mm Long Airstone	2575
150mm Long Airstone	2576
300mm Long Airstone	2577

QUESTIONS OR SPARE PARTS,
VISIT www.interpet.co.uk



Interpet has applied over 70 years of aquatic experience to ensure every element of this product has been carefully considered to help you enjoy aquarium keeping

For more information go to: www.interpet.co.uk
Interpet Europe Ltd, 22 Northumberland Road, Ballsbridge, Dublin 4, Ireland, D04 ED73

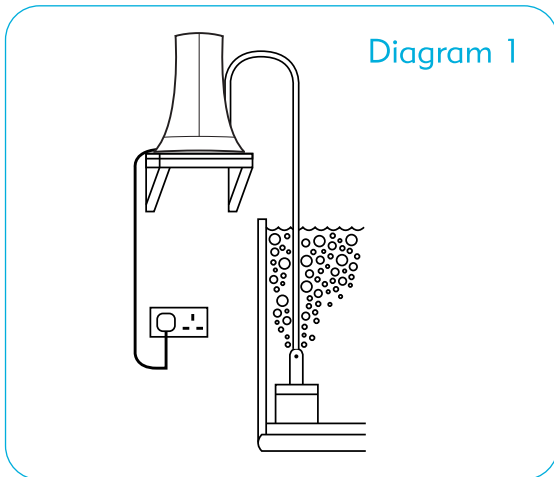
Email: customercare@interpet.co.uk

Interpet Consumer Advice Department,
Interpet House, Vincent Lane, Dorking,
Surrey RH4 3YX

INSTALLING AND POSITIONING YOUR AIR PUMP

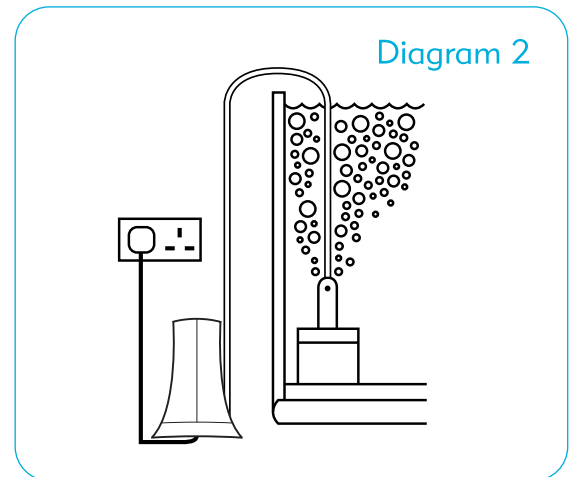
POSITIONING

1. Place the pump on a shelf higher than the water level in the aquarium, but not directly above, so the pump cannot fall into the water. The shelf should have a ledge to prevent the pump from sliding off (diagram 1).



POSITIONING

2. Place the pump on a surface lower than the water level of the aquarium. If placing on the floor, ensure that there is no excessive dust or carpet fibres. Avoid placing the pump where it can become wet or accidentally splashed. Use an Interpet Check Valve in line between the pump and the aquarium. The check valve should be close to the pump outlet (diagram 2).



Note: if being used with a marine aquarium, we would recommend to always place the air pump higher than the water level, and use an Interpet Check Valve.

MAINTENANCE

Replacing the air filter pad: (This should be done every 3 months)

- Turn off power supply to the air pump.
- Remove the old air filter pad from the rubber base. Use a pair of tweezers may make it easier to remove.
- Replace the air filter pad for a new pad.
- Return the air pump to it's original position.
- Turn power supply back on.

Note: a clean air filter pad will help to decrease pressure on the diaphragms, leading to a longer life span.

Replacing the diaphragm - Small & Medium: (This should be replaced every 12 months)

- Turn off power supply to the air pump.
- Pull off the push fit rubber base.
- Remove the screws on the side of the air pump and separate the cover.
- Then remove airline tube attached to diaphragm outlet.
- Slide diaphragm & flapper valve assembly out of the mounting bracket.
- Replace with the new diaphragm and flapper valve assembly.
- Reattach the tube, cover halves and reinsert the screws.
- Push fit rubber base back on.
- Return the air pump to its original location and turn power supply back on.

Replacing the diaphragm - Large: (This should be replaced every 12 months)

- Turn off power supply to the air pump.
- Pull off the push fit rubber base.
- Remove the screws on the side of the air pump and separate the cover.
- Then remove airline tube attached to diaphragm outlet.
- Undo the 3 diaphragm mounting screws and slide the diaphragm and flapper valve assembly out of the mounting bracket.
- Remove the diaphragm from the flapper valve housing.
- Attach new diaphragm to the flapper valve housing.
- Return the assembly to the mounting bracket and reinsert the diaphragm mounting screw.
- Reattach the tube, cover halves and reinsert the screws.
- Push fit rubber base back on.
- Reattach the air pump to its original location and turn power supply back on.

TROUBLESHOOTING

Pump is noisy:

- Ensure the pump is stood on it's rubber base on a secure surface.
Tip: if the pump still causes noise by standing on a solid surface place a piece of coarse aquarium filter foam underneath to lift it off the surface.
- Is the noise coming from the airline tubing? Switch to using a silicone airline – these adsorb the noise caused by vibration a lot more efficiently than PVC based airlines.
- Check there are no kinks or restrictions on the airline.

Loss of air flow:

- Check that the air filter pad is not blocked.
- Check there are no leaks in the airline, or around any adaptors (check valves, valves etc.) used in the airline.
- Check that there are no blockages in the airline.
- Check there are no kinks in the airline.
- Check that the airstones are not clogged - replace for new as necessary.
- Check the diaphragms - if they are showing any sign of wear or tears, they will need replacing.

If there are any manufacturing faults please return to the retailer where the product was purchased with a copy of your proof of purchase.

**QUESTIONS OR SPARE PARTS,
VISIT www.interpet.co.uk**